

**FEDERATION AÉRONAUTIQUE INTERNATIONALE
INTERNATIONAL SKYDIVING COMMISSION**



OFFICIAL INFORMATION BULLETIN #1

**5th FAI World Cup of Indoor Skydiving
3rd FAI European Indoor Skydiving Championships
1st FAI Asian Indoor Skydiving Championships
16 - 22 April 2024
GoAirborne Macau, China**



Content

1.	Event Organisers	3
2.	Aims of the FCE	3
3.	Date and Place	4
4.	Travel and Transportation	6
5.	Entry Fees and Registration	9
6.	Training Time and Rate	13
7.	GoAirborne Macau Facilities	15
8.	Wind Tunnel Details	16
9.	Accommodation	19
10.	Equipment	21
11.	Music	21
12.	Judging and Scoring	22
13.	Organising Officials	23
14.	Medical and Emergencies	23
15.	Insurance, Waivers and Documentation	23
16.	Visa Information	24
17.	Rules and Regulations	25
18.	Weather	26
19.	FAI Sporting Licenses	26
20.	Others	26

APPENDIX

A.	Competition Fee Table
----	-----------------------

1. Event Organisers

Joint Organisers	GoAirborne Pte Ltd
	45 Scotts Road, #10-03, Scotts Highpark, Singapore 228232
	Singapore
	GoAirborne Indoor Skydiving
	R99, 1st Floor, H853 Fun Factory, Lisboaeta Macau, Rua da Patinagem, Cotai, Macau
	Macau, China
Phone:	+853 2888 0882
Email:	WCIS2024@GoAirborne.com
Dedicated Website	https://WCIS2024.GoAirborne.com

2. Aims of the 5th FAI World Cup of Indoor Skydiving, 3rd FAI European Indoor Skydiving Championships, and 1st FAI Asian Indoor Skydiving Championships.

2.1. To determine the winners in:

- Indoor Formation Skydiving Events
 - 4-Way FS (Open, Female)
 - 4-Way VFS (Open)
- Indoor Artistic Skydiving Events
 - 4-Way Dynamic (Open)
 - 2-Way Dynamic (Open)
 - Solo Freestyle (Open and Junior)

2.2. To support the promotion and development of Indoor Skydiving as a global sport under FAI/ISC.

2.3. To deliver a world-class competition to competitors, spectators, and the media.

3. Date and Place

3.1. Official Event Date: 16 to 22 April 2024

Date	Description
6 April 2024, Saturday	Start of Registered Training Period
14 April 2024, Sunday	Arrival of FAI Controller Arrival of Chief Judges
15 April 2024, Monday	Arrival of EJs Arrival of AE and DY Judges
16 April 2024, Tuesday	Official Arrival Day Arrival of Jury Arrival of FS Judges
17 April 2024, Wednesday	Official Practice Day (speed setting flights) Opening Ceremony and Competition Draws Judges Conference Competitors and Team Leaders Meetings Official Team Photos
18 April 2024, Thursday	Competition Day 1
19 April 2024, Friday	Competition Day 2
20 April 2024, Saturday	Competition Day 3 Competitors Meeting (provisional) Awards Ceremony Dinner Banquet After Party
21 April 2024, Sunday	Half-day Cultural Tour (Morning) Official Departure Day (From Afternoon)
22 April 2024, Monday	Official Departure Day
Note: <ul style="list-style-type: none">• Details of competition timings/schedules will be shared closer to the event.• For teams choosing to depart on 22 Apr, please note that hotel for 21 Apr is not included in the Entry Package and can be added at a cost. Please refer to section 5 of this bulletin.	

3.2. Location of Event

GoAirborne Indoor Skydiving Macau (GoAirborne Macau) is located within the Lisboeta Macau Integrated Resort (Lisboeta) at the bustling area of Cotai, in the Macau Special Administrative Region (MSAR) of the People's Republic of China (PRC). The cosmopolitan city of Macau is situated about 60 kilometers west of Hong Kong.

Address: R99, 1st Floor, H853 Fun Factory, Lisboeta Macau,
Rua da Patinagem, Cotai, Macau

Website: <https://www.GoAirborne.com/>

Facebook: <https://www.facebook.com/GoAirborneMacau>

Instagram: <https://www.instagram.com/goairborne.macau/>

Lisboeta offers three themed hotels in a single building sharing an indoor swimming pool. The attached H853 Fun Factory offers a variety of amenities including restaurants, food court, convenience store, cafes, retail shopping and a cinema.

Website: <https://www.lisboetamacau.com/en/>



Google Maps link: <https://goo.gl/maps/nLiBxjqvwrBXYBep6>

4. Travel and Transportation

4.1. Getting to Macau International Airport (Airport Code: MFM)

Macau International Airport services the city's main carrier Air Macau, and other airlines. Do check for updated airlines/routes closer to the competition as borders re-open progressively. Website: <https://www.macau-airport.com/en>

From	Airline	Website
Singapore	Scoot	https://www.flyscoot.com/en
Singapore	Air Macau	https://www.airmacau.com.mo/
Taipei, Taiwan	Air Macau	https://www.airmacau.com.mo/
Taipei, Taiwan	EVA Air	https://www.evaair.com/
Manila, The Philippines	Philippine Airlines	https://www.philippineairlines.com/
Manila, The Philippines	AirAsia	https://www.airasia.com/
Bangkok, Thailand	AirAsia	https://www.airasia.com/
Kuala Lumpur, Malaysia	AirAsia	https://www.airasia.com/
Seoul, South Korea	Jeju Air	https://www.jejuair.net/
Seoul, South Korea	Jin Air	https://www.jinair.com/
Seoul, South Korea	Air Macau	https://www.airmacau.com.mo/
Tokyo, Japan	Air Macau	https://www.airmacau.com.mo/
Routes between cities in mainland China and Macau are well served by Air Macau and many Chinese airlines like Air China, China Eastern Airlines, and Shenzhen Airlines.		
Note: <ul style="list-style-type: none">• Do check visa requirements If you transit/layover at another country prior to Macau.		

Getting to GoAirborne (from Macau International Airport)

Getting to GoAirborne Macau from Macau Airport is easy and expedient. We recommend taking a taxi or the free Lisboaeta shuttle bus.

By Taxi

- The taxi stand is located on the ground floor of the airport.
- Taxis run by the meter and will cost you approximately 40 Macanese Pataca (MOP) at off-peak hours, equivalent to about 5 USD.
- The distance is about 3 km, or 15 minutes at off-peak hours.
- As not all taxi drivers speak English, print and show the name of Lisboaeta hotel in Cantonese to the taxi driver:

葡京人酒店

- The taxi will drop you off at the front entrance of Lisboaeta hotel. When you arrive, simply ask the hotel crew at the door for directions. We are a short stroll through the connected mall.

By Lisboaeta Shuttle Bus

- Lisboaeta provides a free shuttle bus service. The bus stands are located on the right once you exit the building. There are various buses servicing different hotels.
- Look for the sign/stand of the shuttle bus to Lisboaeta or ask any of the hotel shuttle crew managing the stands.
- The distance is about 3 km, or 15 minutes at off-peak hours.
- Operating Hours: Daily from 11:05 to 19:35
- Frequency: Approximately every 60 mins
- Schedule (updated closer to competition date):
<https://www.lisboetamacau.com/en/promotions/global/shuttlebus2023/>

4.2. Getting to Hong Kong International Airport (Airport Code: HKG)

Hong Kong International Airport services major international airlines, a greater number of routes, and may offer more flight options. The city's main carrier is Cathay Pacific.

Getting to GoAirborne Macau (from Hong Kong International Airport)

From Hong Kong International Airport, there are various ways to enter Macau. Check the Website here: <https://www.hongkongairport.com/en/transport/mainland-connection/>

By Ferry (Recommended)

- On arrival at Hong Kong International Airport, DO NOT clear immigration.
- Proceed to the TurboJet counter to purchase the ferry ticket from Hong Kong International Airport to TAIPA Ferry Terminal in Macau.
- Sailing Time: approximately 70 minutes.
- Taipa Ferry Terminal is the closest to Lisboaeta and GoAirborne Macau. It is the recommended ferry terminal.
- Proceed to the SkyPier Ferry Terminal located within Hong Kong International Airport to board the ferry.
- Website: <https://www.turbojet.com.hk/en/>
- Schedule: <https://www.turbojet.com.hk/en/routing-sailing-schedule/hk-airport-macau/sailing-schedule-fares.aspx>
- **Details:** <https://www.hongkongairport.com/en/transport/mainland-connection/ferry-transfer.page>

Below fares effective from 15 Sep 2023

	Adult	Child (2 to below 12 yrs old)	Child (below 2 yrs old)
Economy Class	HKD297	HKD226	HKD165
Super Class	HKD479	HKD358	HKD237
Premier Grand	HKD 615 /Person VIP Cabin (4 pax) : HKD 3010	N/A	N/A

*Infants below one year old travel for free.

**Price table above is from the Turbojet website (link above). Do check for any changes before booking.

Lisboeta provides a free shuttle bus service from TAIPA Ferry Terminal to the hotel/mall where GoAirborne Macau is located.

Check the Schedule here:

<https://www.lisboetamacau.com/en/promotions/global/shuttlebus2023/>

4.3. Getting around Macau

By Public Transportation

We recommend traveling with public transport during your stay. Macau is a compact and urban city with many public transportation options.

Taxis are affordable and public buses are low cost and frequent. You can also make use of the free Lisboeta hotel shuttle bus service to bring you to their designated stops.

Ride Hailing/Transport APPs/Services

Ride hailing services such as Uber, Lyft or Grab are not available in Macau.

You may call for an available Taxi through a service, but you will need to have a Macau mobile phone number as the drivers may contact you for your exact location before they pick you up.

- *Companhia de Serviços de Rádio Táxi Macau S.A.* (Hotline): 288-12345

5. Entry Fees and Registration

As announced in the IBD on 13 October 2023, the Bureau has accepted the full package option as the only option, considering that this is the most economical solution for delegations and will facilitate the organisation due to the closeness of the hotel to the wind tunnel and event hall. Webpage: <https://www.fai.org/news/ibd-2023-07-and-2023-08-wcis-macau-update?type=node&id=24560>

5.1. Entry Fees (attached in Appendix)

COMPETITORS - Package Entry and Hotel Fee on Competition Dates (16 - 21 APRIL 2024)					
All Competitor Packages include:					
1. Discounted pre-competition tunnel rate					
2. Speed test and competition time (including potential re-flights)					
3. Opening and Award ceremonies					
4. Lunch (4 Competition days 17 - 20 Apr)					
5. Refreshments (17-20 Apr)					
6. Gala Dinner and After Party (20 Apr)					
7. Macau Tour (AM on 21 Apr)					
8. Entry Gift Pack					
9. Use of hotel shuttle service to and from Macau Airport and Taipa and Outer Harbour Ferry terminals.					
* The designated Hotel is within the same mall as GoAirborne Macau - an airconditioned 3 to 5 mins walk door-to-door.					
Discipline	Sanction Fee	Package Fee	Inclusions		
Formation Skydiving				ADDITIONALS IF NEEDED:	
FS 4-Way (Open/Female)	Pending FAI	€ 1,700.00	4 PAX ENTRY FEE & HOTEL PACKAGE (2 PAX OCCUPANCY/ROOM) 2 x Twin Bed Room + 4 breakfast (5 nights 16 - 21 Apr)	Additional 1 x Twin Bed Room with 2 breakfast for 1 night on 21 Apr (check-out 22 Apr): EUR 100	
VFS 4-Way	Pending FAI	€ 1,700.00			
Artistic				Additional 1 x Twin Bed Room with 2 breakfast for 5 nights on 16 Apr (check-out 21 Apr): EUR 500	
Solo Freestyle (Open/Junior)	Pending FAI	€ 900.00	1 PAX ENTRY FEE & HOTEL PACKAGE (1 PAX OCCUPANCY) 1 x Twin Bed Room + 1 breakfast (5 nights 16 - 21 Apr)		
Solo Freestyle (Open/Junior)	Pending FAI	€ 1,000.00	1 PAX ENTRY FEE & HOTEL PACKAGE (2 PAX OCCUPANCY) 1 x Twin Bed Room + 2 breakfast (5 nights 16 - 21 Apr)		Additional 1 x Twin Bed Room with 2 breakfast for 6 nights on 16 Apr (check-out 22 Apr): EUR 600
2 Solo Freestyle (Open/Junior)	Pending FAI	€ 1,450.00	2 PAX ENTRY FEE & HOTEL PACKAGE (2 PAX OCCUPANCY) 1 x Twin Bed Room + 2 breakfast (5 nights 16 - 21 Apr)		
Dynamic 2-Way (Open)	Pending FAI	€ 1,100.00	2 PAX ENTRY FEE & HOTEL PACKAGE (2 PAX OCCUPANCY) 1 x Twin Bed Room + 2 breakfast (5 nights 16 - 21 Apr)		
Dynamic 4-Way (Open)	Pending FAI	€ 1,700.00	4 PAX ENTRY FEE & HOTEL PACKAGE (2 PAX OCCUPANCY/ROOM) 2 x Twin Bed Room + 4 breakfast (5 nights 16 - 21 Apr)		
Additional Team Members					
Additional Team member (Competitor)	Pending FAI	€ 800.00	1 PAX ENTRY FEE & HOTEL PACKAGE (1 PAX OCCUPANCY) 1 x Twin Bed Room + 1 breakfast (5 nights 16 - 21 Apr)		
Additional Team member (Competitor)	Pending FAI	€ 900.00	1 PAX ENTRY FEE & HOTEL PACKAGE (2 PAX OCCUPANCY) 1 x Twin Bed Room + 2 breakfast (5 nights 16 - 21 Apr)		
2 Additional Team members (Competitor)	Pending FAI	€ 1,250.00	2 PAX ENTRY FEE & HOTEL PACKAGE (2 PAX OCCUPANCY) 1 x Twin Bed Room + 2 breakfast (5 nights 16 - 21 Apr)		
NON-COMPETITORS - Package Entry and Hotel Fee on Competition Dates (16 - 21 APRIL 2024)					
All Non-Competitor Packages include:					
1. Opening and Award ceremonies					
2. Lunch (4 Competition days 17 - 20 Apr)					
3. Refreshments (17-20 Apr)					
4. Gala Dinner and After Party (20 Apr)					
5. Macau Tour (AM on 21 Apr)					
6. Use of hotel shuttle service to and from Macau Airport and Taipa and Outer Harbour Ferry terminals.					
* The designated Hotel is within the same mall as GoAirborne Macau - an airconditioned 3 to 5 mins walk door-to-door.					
Official Delegation	Pending FAI	€ 800.00	1 PAX ENTRY FEE & HOTEL PACKAGE (1 PAX OCCUPANCY) 1 x Twin Bed Room (5 nights 16 - 21 Apr)	ADDITIONALS IF NEEDED: Additional 1 x Twin Bed Room with 2 breakfast for 1 night on 21 Apr (check-out 22 Apr): EUR 100	
Official Delegation	Pending FAI	€ 900.00	1 PAX ENTRY FEE & HOTEL PACKAGE (2 PAX OCCUPANCY) 1 x Twin Bed Room (5 nights 16 - 21 Apr)		
2 Official Delegation	Pending FAI	€ 1,250.00	2 PAX ENTRY FEE & HOTEL PACKAGE (2 PAX OCCUPANCY) 1 x Twin Bed Room (5 nights 16 - 21 Apr)	Additional 1 x Twin Bed Room with 2 breakfast for 5 nights on 16 Apr (check-out 21 Apr): EUR 500	
Judge in Training	No Sanction Fees	€ 800.00	1 PAX ENTRY FEE & HOTEL PACKAGE (1 PAX OCCUPANCY) 1 x Twin Bed Room (5 nights 16 - 21 Apr)		
Judge in Training	No Sanction Fees	€ 900.00	1 PAX ENTRY FEE & HOTEL PACKAGE (2 PAX OCCUPANCY) 1 x Twin Bed Room (5 nights 16 - 21 Apr)	Additional 1 x Twin Bed Room with 2 breakfast for 6 nights on 16 Apr (check-out 22 Apr): EUR 600	
2 Judges in Training	No Sanction Fees	€ 1,250.00	2 PAX ENTRY FEE & HOTEL PACKAGE (2 PAX OCCUPANCY) 1 x Twin Bed Room (5 nights 16 - 21 Apr)		
Additional Attendees	No Sanction Fees	€ 800.00	1 PAX ENTRY FEE & HOTEL PACKAGE (1 PAX OCCUPANCY) 1 x Twin Bed Room (5 nights 16 - 21 Apr)		
Additional Attendees	No Sanction Fees	€ 900.00	1 PAX ENTRY FEE & HOTEL PACKAGE (2 PAX OCCUPANCY) 1 x Twin Bed Room (5 nights 16 - 21 Apr)		
2 Additional Attendees	No Sanction Fees	€ 1,250.00	2 PAX ENTRY FEE & HOTEL PACKAGE (2 PAX OCCUPANCY) 1 x Twin Bed Room (5 nights 16 - 21 Apr)		

Hotel Rates on Non-competition Dates for All Competitors and Non-Competitors			
6 to 15 April Nights (Sunday to Friday)	€	100.00	Per Night. (2 PAX OCCUPANCY) 1 x Twin Bed Room + 2 breakfast
6 to 15 April Nights (Saturday)	€	150.00	Per Night. (2 PAX OCCUPANCY) 1 x Twin Bed Room + 2 breakfast
21 April Night	€	100.00	Per Night. (2 PAX OCCUPANCY) 1 x Twin Bed Room + 2 breakfast (For those who stay for Macau Tour on 21 Apr and depart on 22 Apr)

Note:

- Each competitor pays a one-time sanction fee, which covers participation in any discipline. Sanction fees are non-refundable.
- Late registrations can be considered based on availability. In the event of an accepted late registration, the Organiser will impose an additional 20% to the applicable entry fee. The separate sanction fee will be charged accordingly.
- Withdrawal from an FCE - A competitor who, or team which, withdraws before the official start date, from an FCE that does take place, having had their entry accepted, will be entitled to a refund of 50% of any entry fees paid (excluding sanction fees and accommodation). A competitor, who or team which, withdraws after the official start date, from an FCE that does take place, having had their entry accepted, will have no right to a refund of any entry fees paid.
- In the event of the competition being cancelled by the Organiser, the sanction fee and entry fee (excluding accommodation) is the only refund that will be available. No compensation will be awarded to cover travel and/or accommodation expenses incurred by the teams.

5.2. Registration

Each FAI Member Country (NAC) may register up to:

Discipline	World Cup - No. of teams per country	European & Asian Championship - No. of teams per country	
Indoor Formation Skydiving			
4-Way FS (Open)	4	1	Up to 5 competitors per team
4-Way FS (Female)	4	1	Up to 5 competitors per team
4-Way VFS (Open)	4	1	Up to 5 competitors per team
Indoor Artistic Skydiving			
4-Way Dynamic (Open)	4	2	Up to 5 competitors per team
2-Way Dynamic (Open)	4	2	Up to 2 competitors per team
Solo Freestyle (Open)	4	2	1 competitor only
Solo Freestyle (Junior)	4	2	1 competitor only

Minimum Age for Junior Competitors

For all indoor skydiving disciplines, a junior competitor is a person whose 13th birthday occurs either during or before the calendar year in which the relevant competition takes place and whose 18th birthday occurs either during or after the calendar year in which the relevant competition takes place.

Junior competitors whose 15th birthday occurs during the calendar year of the competition may, if they choose to, enter an open category event. Any competitor may only enter one category per event (Open or Junior).

Maximum Number of Teams

For Dynamic, the maximum number of teams in both disciplines is 32. If the number of teams exceeds the maximum, the NAC with the highest number of registered teams will be asked to reduce the number of their teams.

5.3. Payment Procedure

All registration will be done online at the competition website from the date of Bulletin 1 publication. Website: <https://WCIS2024.GoAirborne.com>

Step 1: Preliminary Registration

Each NAC will receive an email invitation with a link to the registration webpage.

→ Fill in the online form with the required information below:

- Name of NAC.
- Authorised NAC contact person's name, address, phone number, and email.
- Number of teams and additional members in each category.
- Name and Date of Birth of each team member.
- Indication of team members participating in additional events.
- Estimated number of non-competing delegates.

→ Save, download and print the PDF file of the form.

- On the printed form, provide an authorised NAC signature and stamp.

→ Scan and upload completed form with the function provided on the same webpage.

Step 2: Preliminary Registration Acceptance

On receipt of the completed form, an organiser representative will check and email the authorised NAC contact person for clarifications (if any) or confirm the preliminary entry.

Deadline for Preliminary Registration: 2 January, 2024 (TUESDAY 23:59HRS GMT+8)

Step 3: Final Registration and Payments

Based on the information submitted by the NAC, login details will be sent via email to the NAC and to each Team Captain to access the Final Entry online form.

After logging in, the NAC/Team Captain will be required to update/submit:

- Contact details of each team member.

On completion, the NAC/Team Captain will be asked to select the payment method:

- Credit Card/Other secure electronic payment services: Immediate payment. NAC/Teams are required to pay the electronic payment service provider fees.
- Bank Transfer: An invoice will be emailed to the authorised NAC contact. NAC/Teams are required to pay the bank transfer charges of their bank.

Final entries will be confirmed within 2 working days on receipt of payment. Any changes made after final entry submission can only be made by the NAC authorised contact.

Deadline for Final Registration: 9 February, 2024 (FRIDAY 23:59HRS GMT+8)

5.4. Banking Information

For Entry Fee and Sanction Fee

Entry fees must be paid at the time of final registration through an online payment website. Payments can also be made via bank transfer on receipt of an invoice (electronic). Please email us the proof of payment by bank transfer.

Payable To: GoAirborne Pte Ltd

Company Address: 45 Scotts Road, #10-03 Scotts HighPark, Singapore 228232

Bank Name: Oversea-Chinese Banking Corporation Limited

Bank Address: OCBC Centre, 65 Chulia Street, Singapore 049513

Bank Account No.: 687728568001

Swift Code: OCBCSGSG

5.5. Local Currency

Current Exchange Rates (subject to change):

- 1 EURO = MOP 8.51
- 1 USD = MOP 8.06
- 1 HKD (Hong Kong Dollar) = MOP 1.03

The Macanese Pataca (MOP) is available at the Macau International Airport money exchange booth or from ATMs available throughout Macau. There are ATM machines at Lisboaeta/near GoAirborne Macau.

The Macanese Pataca is not commonly available at banks/exchanges outside of Macau. Macau accepts Hong Kong dollars where MOP 1 is used as HKD 1. No change will be given.

6. Training Time and Rate

On successful entry, the Head of Delegation/Team will receive an account to a booking website to book and pay for pre-competition training hours.

6.1. Training Period: 6 to 16 Apr 2024

As a contribution to keeping costs down for competitors, GoAirborne Macau will offer all competitors favourable rates for pre-event training from 6 to 16 April 2024, subject to the condition that the team has registered and made full payment of the entry fee package.

6.2. Time Units and Rates:

- 1 hour: €750
- 30 minutes: €450
- 15 minutes: €225

Terms and Conditions:

- Each registered team is able to purchase in units of 15mins, 30mins, or 1hr.
- This rate and time can only be used during the Training Period.
- Tunnel time bookings will be on a first come first served basis and is subject to availability.
- Tunnel time bookings can only be confirmed once payment has been received.
- This time can only be used for team training - only registered team members can fly on this training time.
- All members of the team need to be present and flying during the training.
- This time is not for resale.
- Any time remaining on the account once the competition starts will be forfeited.
- Operation hours during the Training Period will be extended to allow teams the maximum opportunity to train.
- Training time will be available for booking through our competition booking system at the start of final registration. Updates will be released on our website at <https://WCIS2024.GoAirborne.com>
- There are no limits on booking time from 6 to 13 April 2024.
- From 14 to 16 April 2024, each team can book up to 15 minutes of training time to ensure that all teams have the opportunity to train before the competition.
- Any remaining un-booked time on 14 to 16 April, 2024 will be released/made available for booking after the final registration deadline/March. There are no limits on booking these remaining hours. Updates will be released on our website.
- There are no limits on booking time before 6 April 2024 and after the competition. Normal rates apply. If a team requires training time before 6 or after 20 April, please contact GoAirborne Macau at WCIS2024@GoAirborne.com indicating your details and requirements for special pro-flyer rates and payment methods. Please write "WCIS 2024 Additional Booking - off training dates" in the Subject line. We will revert on your reservation and payment method within 3 working days.
- All tunnel time purchased is non-refundable.

6.3. Banking Information

For Pre-competition Hours Booking

Bookings must be paid before the training time can be confirmed. Payments can be made via electronic payment options on the website, or by bank transfer on receipt of an invoice (electronic). Please email us the proof of payment by bank transfer.

Payable To: GOAIRBORNE INDOOR SKYDIVING (MACAU) COMPANY LIMITED

Company Address: COTAI, junto à Rotunda da Central Térmica de Coloane, piso 01 do Hotel do “Lisboeta”, Macau. Unit No. R99

Bank Name: INDUSTRIAL AND COMMERCIAL BANK OF CHINA (MACAU) LIMITED

Bank Address: MACAU LANDMARK FLOOR 18 555 AVENIDA DA AMIZADE MACAU

Bank Account No.: 0119100200008968713

Swift Code: ICBKMOMX

7. GoAirborne Macau Facilities

The GoAirborne Macau facility was designed and built to run large scale international competitions. It is an enclosed building and directly accessible via the Lisboaeta integrated resort shopping mall.

First Floor

With a spacious gross floor area of about 1,500 m², level 1 offers an open and optimal view of the wind tunnel as the centre piece. Large spectator areas flank each side of the 3-layer frameless glass tunnel to ensure a comfortable and immersive experience while watching the competition.

Second Floor

This level has a gross floor area of about 600 m². Level 2 is accessible by stairways and an elevator. An open members area and 3 out of the 5 meeting rooms on this floor overlooks the wind tunnel.

LED Screens and TVs

There are several fixed and mobile screens available to clearly show required competition information such as schedules.

Fixed:

- 1 x Large main hall LED (25x8 metres)
- 1 x Registration counter LED (43x13 metres)
- 6 x Wind tunnel holding area LED screens (43inches)

Mobile:

- 4 x TV screens (55 inches)

Judges and Judging Area

The area around the tunnel is sufficient for both live judges and audience. GoAirborne Macau will dedicate private rooms for the judging panels equipped with chairs, tables, computers, video playback monitors, screens, internet access, and scoring systems.

Jury and FAI Controller

GoAirborne Macau will dedicate a well-equipped room for the jury and FAI controller.

Competitors

The wind tunnel has washrooms/showers, lockers, seating areas, and water dispensers.

In addition, a large event hall will be set up as the competitor practice, waiting and rest area. The hall will also be used for the opening and award ceremonies and is only a short 3 minute (sheltered) walk from the wind tunnel. Screens will be set up so that the competitors can view what is happening at the wind tunnel. A sufficient number of creeping boards is available for the competitors to practice.

Food Services

GoAirborne Macau is located within the Lisboaeta integrated resort with restaurants, food court, convenience store, and cafes. Guests will be able to easily access food and drinks within the resort.

Breakfast, lunch, refreshments and the gala dinner is included in the entry and hotel packages for teams/delegations on competition days from 17 to 20 April, 2024.



8. Wind Tunnel Details

GoAirborne Macau's wind tunnel is 15 metres high with an airflow velocity up to 270km/hr. Our zero-pressure design waiting area allows a smooth facilitation of the changeover of teams, while enabling minimal congestion within the waiting area.

8.1. Wind Tunnel Specifications:

Manufacturer	Aerodium https://aerodium.technology/vertical-wind-tunnels/r4/
Diameter	4.3 m
Glass Height	11 m
Glass Type	3-layer laminate glass
Speed	270km/h (Anemometer Actual Reading)
Waiting Area	Can be opened anytime due to zero-pressure design
Active Cooling System	Fully regulated climate through chiller system
Air Quality	Super smooth airflow with no turbulence
Maintenance	Daily, weekly, monthly, quarterly, half and annual checklist

Diagram 1: GoAirborne Macau wind tunnel dimensions

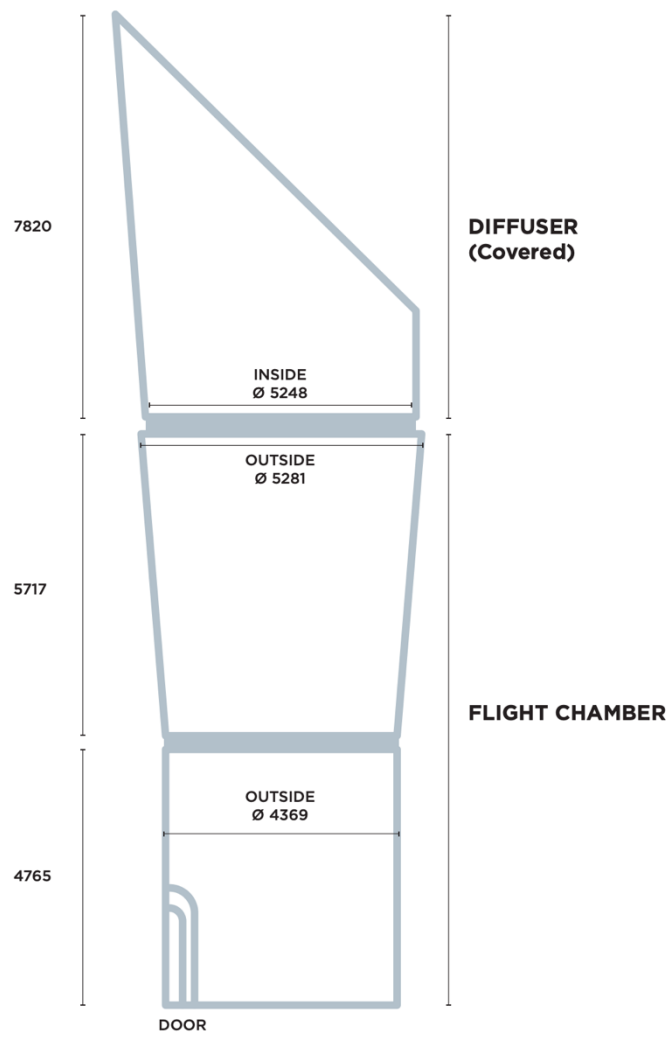
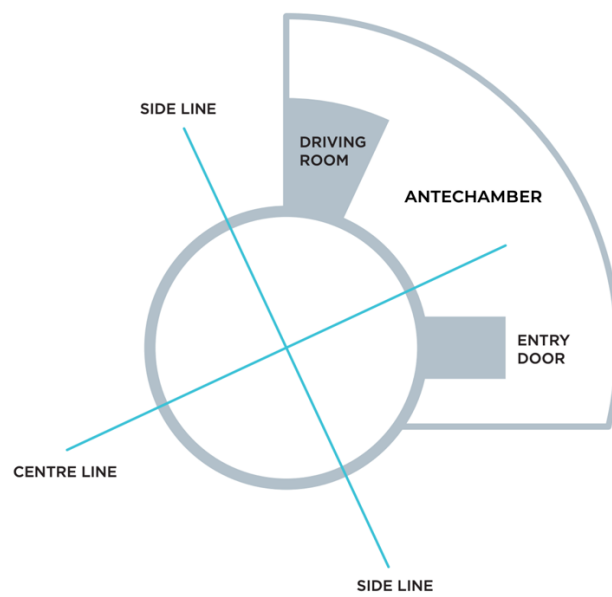


Diagram 2: Dynamic lines



8.2. Cameras

All cameras will be set up for judging by the live judging panel and are able to record and store the footage for review. The existing system automatically uploads all video to the server from all cameras in the tunnel and enables immediate access to the videos from all stationary computers in the building.

All current cameras comply with the technical requirements in the competition rules. GoAirborne is an experienced host of national and international indoor skydiving events and agrees to set up all required cameras with the technical requirements and backups, in the Competition Rules including:

Camera Placements and Angles

IS Formation Skydiving	Top view camera
IS Vertical Formation Skydiving	Bottom view camera
IS Solo Freestyle	Wide-angle camera placed directly in front of the tunnel
Speed Routines	Cameras placed at the sideline and centerline. All cameras will be set up for judging by the live judging panel.
Free Routines	One camera placed at the centre of the viewing gallery arch.

GoAirborne Macau will have all equipment needed ready and operational for official training days and all competition performances.

In addition to the minimum requirements, GoAirborne Macau commits to having judging cameras and dynamic lines set up and ready before 14 April, 2024.

8.4. Music and Public Address System

Our facilities are equipped with excellent built-in speakers for music in all areas of the building. Sound engineers will be engaged to install professional speakers for the audience as well as all necessary equipment for the competitors' performances such as earphones, receivers and transmitters.

9. Accommodation

The official competition hotel is Lisboeta (<https://www.lisboetamacau.com>). Lisboeta is a newly built hotel, a 3-5 minute sheltered walk through the mall, within the same integrated resort as GoAirborne Macau. We will also be holding the opening and award ceremonies, at a large indoor event hall in the resort.

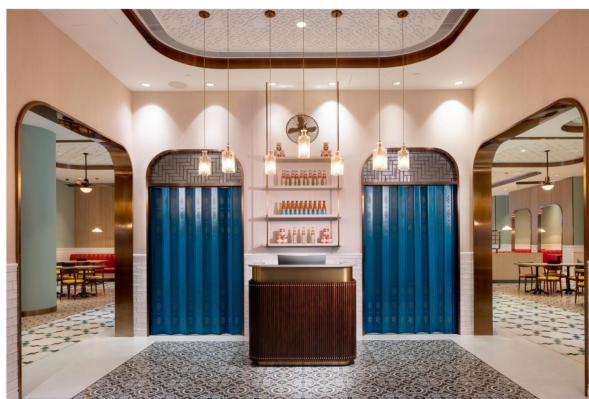
The hotel is equipped with complimentary high speed WIFI in every room, complete set of toiletries, towels, hairdryer, plush furnishings, air-conditioning/heating and safety deposit box. Vending machines for snacks and beverages are available at every floor.

Judges and Officials Accommodation

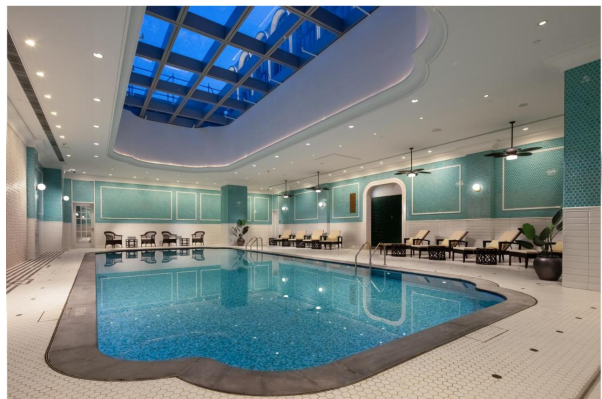
All FAI judges and officials will be accommodated at Lisboeta.



Exterior



Breakfast restaurant on ground floor



Swimming pool on level 2



Deluxe Twin Room



Bathroom

10. Equipment

All competitors are required to wear a helmet and equipment which is in compliance with the FAI Sporting Code Section 5. Metal components and plastic mounts are strictly forbidden in the flight chamber whether on helmets or any other equipment, including shoes. Only shoes that do not make stripes on the glass will be allowed in the tunnel (no black soles allowed).

Competitors need to bring their own weight belts. These weight belts are subject to inspection from GoAirborne Macau Instructors. The purpose of this inspection is to ensure that no part of the belt could come loose during flight.

GoAirborne Macau reserves the right to prohibit any competitor with non-standard equipment from entering the tunnel.

If the competitor enters the wind tunnel with exposed metal or plastic mounts despite warning, the organiser may hold him/her financially responsible for any damage to the wind tunnel equipment.

11. Music

The use of music in our sport has become foundational to artistic routines as well as general production of our events. As a result, we must act responsibly in respecting the music rights of the artists and writers who create the music. International Federations from all sports have had to address the use of copyrighted music in their events.

The ISC and GoAirborne Macau requires all participating athletes to comply with copyright laws regarding performance and/or use of arrangements of copyrighted music as well as the use of copyrighted audio and spoken text. If copyright violation is found to exist, the athlete or team will not be able to perform to music.

In most cases, using musical selections in video recordings and live performances requires synchronisation licensing in order to comply with copyright law.

Other options include:

- Using original music. Athletes need to be able to prove that their music is bespoke.
- Using public domain music. Artists or composers deceased over 70 years ago.

The ISC and GoAirborne Macau has partnered with a reputable music rights service, ClicknClear - a professional music industry licensing company with the backing of music industry rights holders. We encourage the athletes participating at WCIS2024 to leverage this resource and learn more about music rights and licences.

About ClicknClear: <https://www.clicknclear.com/>

Navigating global music rights can be an overwhelming task. ClicknClear has created a one-stop online marketplace where you can quickly and easily license from a large and rapidly growing catalogue (currently 330k music titles, expected to grow to 500k in January 2022) of great original music with all the rights you need to use in your sports mix, alongside your performances. ClicknClear has many genres of music, as well as music from around the world. You'll find tracks from iconic and current stars as well as up and coming artists and producers.

When athletes license music from ClicknClear for their mix, The ISC and competition organisers are able to license the further online music rights we need to help popularise our sport and eliminate the need to mute video or live streams of performances.

Here are some key benefits for athletes, organisers and our sport as a whole:

- Athletes can obtain official music industry licenses at a pre-cleared affordable rate that is far lower than you could achieve individually (about 10-25€ per track).
- Rights to distribute audio copies of the track/mix to up to 35 individual students for training purposes.
- Instantly license music via ClicknClear's website pay and receive your license immediately.
- Legally create a music mix to accompany your routine, protecting yourself, the organiser and the sport as a whole.
- Videos of your routine using music purchased through ClicknClear may be uploaded onto Facebook and/or YouTube for non-commercial purposes. Videos will be subject to possible monetisation, blocking or takedowns by music rights holders through Facebook or YouTube advertising systems.
- When licensing from ClicknClear, additional online video rights to share your routines become available for further licensing by the ISC, GoAirborne Macau and other competition organisers which helps grow our sport.
- ClicknClear gives a legal indemnity with each license to their music.

11.1. Requirements for Participation:

The ISC and GoAirborne Macau recommends purchasing your music through ClicknClear. All athletes using music must submit their Song Selection exactly as needed for their performance. Please email the file to WCIS2024@GoAirborne.com no later than 2 weeks before the start of the event.

Athletes who fail to submit will not be permitted to compete to music. All freestyle or dynamic team competitors wishing to perform with music should bring their own music headsets.

For Freestyle athletes, the music duration must not be longer than 10 seconds over the routine's time as stipulated in Indoor Skydiving Competition Rules of Solo Freestyle, 2023 edition, Rule 2.8.

At this time, ClicknClear is not set up to secure licensing for songs currently not already in their system. Any liability associated with unauthorised recordings will rest with the individual or organisation making and sending GoAirborne Macau the recording for use.

The ISC and GoAirborne Macau does not condone, nor accept any liability for, any unauthorised recording during the event.

12. Judging and Scoring

- Formation Skydiving and Artistic Events: InTime Scoring System
- Dynamic Flying: Dynamr

13. Organising Officials

Tunnel General Manager	Angus Ho
Tunnel Operations Manager	Jason Lim
Event and Marketing Manager	Amy Chia
Registration and Booking Manager	Sarka Ferrerova
Meet Director	TBC
FAI Controller	Lika Borzova
FS Chief Judge	Peta Holmes
AE Chief Judge	Thi Bich Van Ha
Dynamic Chief Judge	Kristian Moxnes
Assistant to Chief Judge	TBC
Video Controller	TBC
Jury President	TBC
Jury Members	TBC
Jury Members	TBC

14. Medical and Emergencies

The GoAirborne Macau building meets full safety and emergency requirements needed for public use and to host events. Fire extinguishers are available on-site and emergency exits are clearly labelled.

An equipped ambulance and paramedics will be stationed on-site from 17 to 20 April, 2024. Before this period, an ambulance can be called to the site in cases of emergencies. The nearest hospital is an 8 minute drive from GoAirborne Macau.

Nearest Hospital:

University Hospital Macau
Block H, Macau University of Science and Technology
Avenida Wai Long, Taipa, Macau
HOTLINE: +853 2882 1838

Macau Emergency Numbers:

Emergency: 999
Fire Station: 572 222
Police: 573 333

15. Insurance, Waivers and Documentation

- GoAirborne Macau does not request any flyer to hold third party liability insurance. However, any injury or damage is the responsibility of the participant. Therefore, it is advisable to hold a valid insurance.

- Each participant entering the wind tunnel to fly will have to sign a GoAirborne Macau waiver document. Participants are responsible for covering their own repatriation and personal medical insurance for the duration of their stay for the competition.
- Any damage in the accommodation facility, competition and ceremony venues, lounges etc., is the responsibility of the person(s) involved.
- Personal belongings are the responsibility of each person.

16. Visa Information

All visitors to Macau are required to hold a valid visa except for nationals of countries that are exempted from a visa or entry permit. Below are countries exempted from visa requirements with the maximum limit of stay:

Maximum Limit of Stay	Countries
14 Days	Holders of a passport issued by Brunei.
30 Days	Australia, Canada, Chile, India, Indonesia, Kiribati, Malaysia, Monaco, Namibia, Philippines, Samoa, Seychelles, Singapore, South Africa, Thailand, Turkey, the United States of America, Uruguay
90 Days	<p>Holders of a passport issued by a European Union or Schengen Agreement member state (Austria, Belgium, Bulgaria, Czech, Denmark, Estonia, Finland, France, Germany, Greece, Hungary, Iceland, Ireland, Italy, Latvia, Liechtenstein, Lithuania, Luxembourg, Malta, Netherlands, Norway, Poland, Portugal, Romania, Slovakia, Slovenia, Spain, Sweden, Switzerland)</p> <p>Holders of a passport issued by Albania, Andorra, Bosnia and Herzegovina, Brazil, Cape Verde, Croatia, Dominica, Egypt, Grenada, Japan, Kingdom of Morocco, Korea (Republic of), Macedonia, Mali, Mauritius, Mexico, Moldova, Mongolia, Montenegro, Republic of Armenia, Serbia, Tanzania, Uruguay.</p>
3 Months	Holders of a passport issued by Cyprus, Israel, Lebanon, New Zealand.
6 Months	British citizens holding a British passport
1 Year	<p>Holders of "Hong Kong Permanent Identity Card" or "Hong Kong SAR Re-entry Permit".</p> <p>*Valid "Hong Kong Identity Card" holders are required to bring their valid passport or travel documents when they enter Macau.</p>

Starting from July 1, 2010, passport holders of Bangladesh, Nepal, Nigeria, Pakistan, Sri Lanka and Vietnam are required to obtain an entry visa before arriving at the Macau Special Administrative Region. Visa-upon-arrival is no longer applicable to these nationals.

Visitors who are not exempted from a "visa" and "entry permit" can apply for a "visa-upon-arrival" and "Authorization to Enter and Stay", or apply for a "visa" of the Macao Special

Administrative Region in advance through an embassy or consulate of the People's Republic of China. More information can be found at the Macau Public Security Police Force Border Control Department website:

https://www.fsm.gov.mo/psp/eng/psp_top5_3m.html

For the latest visa requirements, please contact your travel agency, the Embassy of the People's Republic of China in your region, or check the Macau Public Security Police Force Border Control Department website: <https://www.fsm.gov.mo/psp/eng/main.html>

Customs Regulations:

Travellers who fail to declare to customs officers in accordance with Macau law; or make false or incomplete declarations; or import goods that are subject to pre-licencing system without relevant licences (e.g., firearms, medications and endangered species of animals and plants); or import/export counterfeit or infringing goods, can be subject to prosecution, and the relevant items will be seized. Please refer to the Macao Customs Service's website for further information: <https://www.customs.gov.mo/cn/index.html>

COVID-19:

All arrivals, regardless of nationalities, do not require prior approval from the health authorities to enter Macau, nor do they need to present any COVID-19 test result or undergo medical observation upon entry. Please check the anti-epidemic measures for entry into Macau here:

<https://www.ssm.gov.mo/apps/PreventCOVID-19/en.aspx#clg22916>

17. Rules and Regulations

Rules

The competition rules are provided by the FAI which can be found at <https://www.fai.org/isc-documents>, under Sporting Code – Section 5: Skydiving https://www.fai.org/sites/default/files/isc/documents/2023/isc_sc5_2023_final.pdf

2023 Indoor Skydiving Solo Freestyle CR

https://www.fai.org/sites/default/files/isc/documents/2023/2023_isc_cr_ae_solo_freestyle_final.pdf

2023 Indoor Formation Skydiving and Vertical Formation Skydiving CR

https://www.fai.org/sites/default/files/isc/documents/2023/2023_isc_cr_indoorfvfs-2.pdf

2023 Indoor Skydiving Dynamic 2-Way and 4-Way CR

https://www.fai.org/sites/default/files/isc/documents/2023/2023-isc_cr_dynamic.pdf

Doping Requirements and Control

Each competitor is responsible for his/her own medical situation and can check the requirements here: <https://www.fai.org/cimp-documents>

18. Weather

Considerations regarding weather conditions are not applicable as the event will be held indoors.

19. FAI Sporting Licences

A valid FAI Sporting License for 2024 is required and must be obtained through the competitor's NAC. All competitors must be registered by their NAC in the FAI Sporting License Database before submitting the Official Entry Form to the Organiser.

20. Others

National Flag and Anthem

All delegations are required to bring their official country flag to the competition. All delegations are required to send their official country flag image and national anthem no later than 2 weeks from the event to: WCIS2024@GoAirborne.com

Uniforms

Official team uniforms are encouraged at all times.

Official Media Channels

- FAI/ISC Webpage : <https://www.fai.org/commission/isc>
- ISC Webpage : www.worldskydiving.org
- GoAirborne Website : <https://www.GoAirborne.com>
- GoAirborne Facebook Page: <https://www.facebook.com/GoAirborneMacau>
- Competition Website : <https://WCIS2024.GoAirborne.com>
- Official Email: WCIS2024@GoAirborne.com

Date of Issue of Official Bulletin 2

The second Bulletin will be provided no later than 15 March 2024.

APPENDIX

COMPETITION FEE TABLE

Hotel Rates on Non-competition Dates for All Competitors and Non-Competitors				
6 to 15 April Nights (Sunday to Friday)	€	100.00	Per Night. (2 PAX OCCUPANCY) 1 x Twin Bed Room + 2 breakfast	
6 to 15 April Nights (Saturday)	€	150.00	Per Night. (2 PAX OCCUPANCY) 1 x Twin Bed Room + 2 breakfast	
21 April Night	€	100.00	Per Night. (2 PAX OCCUPANCY) 1 x Twin Bed Room + 2 breakfast (For those who stay for Macau Tour on 21 Apr and depart on 22 Apr)	
COMPETITORS - Package Entry and Hotel Fee on Competition Dates (16 - 21 APRIL 2024)				
All Competitor Packages include:				
1. Discounted pre-competition tunnel rate				
2. Speed test and competition time (including potential re-flights)				
3. Opening and Award ceremonies				
4. Lunch (4 Competition days 17 - 20 Apr)				
5. Refreshments (17-20 Apr)				
6. Gala Dinner and After Party (20 Apr)				
7. Macau Tour (AM on 21 Apr)				
8. Entry Gift Pack				
9. Use of hotel shuttle service to and from Macau Airport and Taipa and Outer Harbour Ferry terminals.				
* The designated Hotel is within the same mall as GoAirborne Macau - an airconditioned 3 to 5 mins walk door-to-door.				
Discipline	Sanction Fee	Package Fee	Inclusions	ADDITIONALS IF NEEDED:
Formation Skydiving				
FS 4-Way (Open/Female)	Pending FAI	€ 1,700.00	4 PAX ENTRY FEE & HOTEL PACKAGE (2 PAX OCCUPANCY/ROOM) 2 x Twin Bed Room + 4 breakfast (5 nights 16 - 21 Apr)	Additional 1 x Twin Bed Room with 2 breakfast for 1 night on 21 Apr (check-out 22 Apr): EUR 100
VFS 4-Way	Pending FAI	€ 1,700.00		
Artistic				
Solo Freestyle (Open/Junior)	Pending FAI	€ 900.00	1 PAX ENTRY FEE & HOTEL PACKAGE (1 PAX OCCUPANCY) 1 x Twin Bed Room + 1 breakfast (5 nights 16 - 21 Apr)	Additional 1 x Twin Bed Room with 2 breakfast for 5 nights on 16 Apr (check-out 21 Apr): EUR 500
Solo Freestyle (Open/Junior)	Pending FAI	€ 1,000.00	1 PAX ENTRY FEE & HOTEL PACKAGE (2 PAX OCCUPANCY) 1 x Twin Bed Room + 2 breakfast (5 nights 16 - 21 Apr)	
2 Solo Freestyle (Open/Junior)	Pending FAI	€ 1,450.00	2 PAX ENTRY FEE & HOTEL PACKAGE (2 PAX OCCUPANCY) 1 x Twin Bed Room + 2 breakfast (5 nights 16 - 21 Apr)	Additional 1 x Twin Bed Room with 2 breakfast for 6 nights on 16 Apr (check-out 22 Apr): EUR 600
Dynamic 2-Way (Open)	Pending FAI	€ 1,100.00	2 PAX ENTRY FEE & HOTEL PACKAGE (2 PAX OCCUPANCY) 1 x Twin Bed Room + 2 breakfast (5 nights 16 - 21 Apr)	
Dynamic 4-Way (Open)	Pending FAI	€ 1,700.00	4 PAX ENTRY FEE & HOTEL PACKAGE (2 PAX OCCUPANCY/ROOM) 2 x Twin Bed Room + 4 breakfast (5 nights 16 - 21 Apr)	
Additional Team Members				
Additional Team member (Competitor)	Pending FAI	€ 800.00	1 PAX ENTRY FEE & HOTEL PACKAGE (1 PAX OCCUPANCY) 1 x Twin Bed Room + 1 breakfast (5 nights 16 - 21 Apr)	
Additional Team member (Competitor)	Pending FAI	€ 900.00	1 PAX ENTRY FEE & HOTEL PACKAGE (2 PAX OCCUPANCY) 1 x Twin Bed Room + 2 breakfast (5 nights 16 - 21 Apr)	
2 Additional Team members (Competitor)	Pending FAI	€ 1,250.00	2 PAX ENTRY FEE & HOTEL PACKAGE (2 PAX OCCUPANCY) 1 x Twin Bed Room + 2 breakfast (5 nights 16 - 21 Apr)	
NON-COMPETITORS - Package Entry and Hotel Fee on Competition Dates (16 - 21 APRIL 2024)				
All Non-Competitor Packages include:				
1. Opening and Award ceremonies				
2. Lunch (4 Competition days 17 - 20 Apr)				
3. Refreshments (17-20 Apr)				
4. Gala Dinner and After Party (20 Apr)				
5. Macau Tour (AM on 21 Apr)				
6. Use of hotel shuttle service to and from Macau Airport and Taipa and Outer Harbour Ferry terminals.				
* The designated Hotel is within the same mall as GoAirborne Macau - an airconditioned 3 to 5 mins walk door-to-door.				
Official Delegation	Pending FAI	€ 800.00	1 PAX ENTRY FEE & HOTEL PACKAGE (1 PAX OCCUPANCY) 1 x Twin Bed Room (5 nights 16 - 21 Apr)	ADDITIONALS IF NEEDED: Additional 1 x Twin Bed Room with 2 breakfast for 1 night on 21 Apr (check-out 22 Apr): EUR 100
Official Delegation	Pending FAI	€ 900.00	1 PAX ENTRY FEE & HOTEL PACKAGE (2 PAX OCCUPANCY) 1 x Twin Bed Room (5 nights 16 - 21 Apr)	
2 Official Delegation	Pending FAI	€ 1,250.00	2 PAX ENTRY FEE & HOTEL PACKAGE (2 PAX OCCUPANCY) 1 x Twin Bed Room (5 nights 16 - 21 Apr)	Additional 1 x Twin Bed Room with 2 breakfast for 5 nights on 16 Apr (check-out 21 Apr): EUR 500
Judge in Training	No Sanction Fees	€ 800.00	1 PAX ENTRY FEE & HOTEL PACKAGE (1 PAX OCCUPANCY) 1 x Twin Bed Room (5 nights 16 - 21 Apr)	
Judge in Training	No Sanction Fees	€ 900.00	1 PAX ENTRY FEE & HOTEL PACKAGE (2 PAX OCCUPANCY) 1 x Twin Bed Room (5 nights 16 - 21 Apr)	
2 Judges in Training	No Sanction Fees	€ 1,250.00	2 PAX ENTRY FEE & HOTEL PACKAGE (2 PAX OCCUPANCY) 1 x Twin Bed Room (5 nights 16 - 21 Apr)	Additional 1 x Twin Bed Room with 2 breakfast for 6 nights on 16 Apr (check-out 22 Apr): EUR 600
Additional Attendees	No Sanction Fees	€ 800.00	1 PAX ENTRY FEE & HOTEL PACKAGE (1 PAX OCCUPANCY) 1 x Twin Bed Room (5 nights 16 - 21 Apr)	
Additional Attendees	No Sanction Fees	€ 900.00	1 PAX ENTRY FEE & HOTEL PACKAGE (2 PAX OCCUPANCY) 1 x Twin Bed Room (5 nights 16 - 21 Apr)	
2 Additional Attendees	No Sanction Fees	€ 1,250.00	2 PAX ENTRY FEE & HOTEL PACKAGE (2 PAX OCCUPANCY) 1 x Twin Bed Room (5 nights 16 - 21 Apr)	
Notes:				
1. Wind tunnel time slots will be reserved from 6-16 Apr exclusively for competitors to make a booking for pre-competition training at the discounted rate of EUR 750/hour.				
2. On 14-16 Apr, teams can book up to 15 mins/day of pre-competition training time to give every team a chance to train. Unbooked time will be available for add-on bookings in March.				
3. Pre-competition training rate only applies to teams that have registered and made full payment of entry and sanction fees. All team members need to be flying at the booked time.				
4. Teams who wish to train earlier than 6 Apr may make unlimited bookings by hour. GoAirborne Macau hourly rate applies.				
5. Late registrations may be accepted if there is available capacity. The Entry Fee will be increased by 20% and the Sanction Fee will be added on top of that.				